



PITTSBURGH
P.U.G.
USERS GROUP

PERIPHERAL

VOLUME 2

OCTOBER 1983

NUMBER 15

OCTOBER'S MEETING

The next regular meeting of the Pittsburgh Users Group will begin at a new time. The October meeting will start at 4:00 for those members who wish to participate in the special interest group meetings for: Basic, Extended Basic, and Assembly Language.

We will have a demonstration of the TI PLATO education programs by Elaine Mast after the main meeting.

The General Business Meeting will be held at 7:00 P.M. in the Auditorium of the Community College of Allegheny County's South Campus on Sunday, October 16, 1983.

LAST MEETING

The P.U.G. President, Chuck Percherke, welcomed the two representatives from TI to Pittsburgh and introduced Ed Wiest and John Phillips to a packed Auditorium of TI 99/4A enthusiasts.

Using a quadraphonic sound system and two (2) Sony Projection Screen Televisions and a "Forth" Language card in the Peripheral Expansion Box, the representatives from TI put on their show.

The demonstration was orchestrated by P.U.G.'s own TI 99/4A and included a slide show, a color graphic presentation of sound intensity and frequency of notes on the musical scale and a musical score in quadraphonic sound. Absolutely first class!

The "Forth" Language card may be out for Christmas but will probably be in stock at most stores by January or February.

TI has appointed Peter Fields as the new Head of Consumer Marketing. He was formerly with Proctor & Gamble. He had to establish a new telephone hot line which TI says will take care of user problems. Call TOLL FREE:

(1-800-TI-CARES)

TI will be promoting the User Groups and provide more advertising in the future months.

There will be a new computer coming out in the near future from those wizards in Lubbock. It will not be replacing the TI 99/4A but will probably be a more sophisticated machine with more features.

To assure those P.U.G. members who questioned the financial status of Texas Instruments, Ed Wiest replied "TI is very well entrenched in the Home Computer...and has no intention of getting out of the Home Computer System."

There were 3 prizes of Alpiner games awarded to P.U.G. members and the main door prize of a TI Multi-Plan was won by Zelimir Alfirevic, who will be out shopping for a Peripheral Box to make full use of his luck.

BY-LAWS

The By-Laws Committee will be meeting to discuss proposed changes to the P.U.G. By-Laws before the November meeting. If you have any comments or suggestions, put them in writing and give them to John Asmonga at the October meeting. The committee and the members of the Executive Board will present a copy of any proposed changes or amendments to the By-Laws at a future P.U.G. meeting.

THIS AND THAT

As you program, start with an outline of your idea on paper. Use REM statements to explain in English what you are doing in each section. This helps other people read your program and debug.

Always record your work a little at a time. I keep hearing horror stories from experienced programmers about a plug being pulled or of a power failure or a phone call and another person turns the computer off.

Mark your cassette player tone and volume dial for consistency.

My new TI drive is hard on cheap disks. The better the disk the longer the use.

Always make a backup copy of important programs. Business users have learned this.

Make a program useable by a complete stranger. Document with instructions at least in the LIST. I say this because in the past 3 months I have seen some terrific programs but can't use them until instructions are given. Think of every user as a second grader and if they don't need instructions give an option to bypass them.

I know this is known by our old members but.... (Pat Dean)

LIBRARY HELP WANTED

Assistants - To be available to set up and be in the library when it is open at the meetings. I need at least 3 more people.

Library Workers - Give 1 or 2 hours at home or at special work meeting day.

ESPECIALLY FOR BEGINNERS

P.U.G. Member, Jonathan Zitran, will be having a class in Basic for new members or for those with questions. His class will begin at 4:00.

LIBRARY RULES

1. You must be a member of P.U.G.
2. You must leave a deposit of \$5.00 per item or have your card stamped for the special fee.
3. The first month of use is free.
4. Fines are 10 cents per day late.
5. Loss of privileges until fine is paid.
6. Items should be mailed if you can't attend the meeting.

Thus far our members have been very good since the program library has opened. Thank you.

(Pat Dean)

HOW CAN YOU SHARE?

You can share in the library by donating any programs you have. Debugging, cassette making, typing programs into the computer, general record keeping of materials, assist members in the library hour at the meeting, and keeping Pat sane are a few more.

New programs coming into the library are fine on tape or disk. Please give a note card with the programs real name, the language, source, and brief description. Please be sure the program is running. If you improve a program please indicate on the card and in a REM statement.

Pat Dean (466-0929)
2519 Jefferson Dr.,
W. Mifflin, PA. 15122

THIRD PARTY PRODUCTS

There are numeric keypads available through third party users which use the joystick port of the TI 99/4A and make accounting programs more enjoyable.

Spinaker Software will soon be producing third party software for the TI 99/4A, and, also, Scott, Foresman and Company, as well as other prominent software manufacturers.

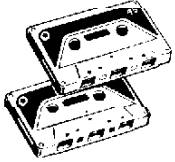
TI-Accounting will also be produced by a third party user and marketed by Texas Instruments.

LOOK

TI-99/4A Cassette Programs *Only* 50¢ Each!

THE EXCHANGE believes.....

A *Terrific* cassette program library need *NOT* cost you a fortune! (And we'll prove it!) Our library will provide you and your family with hours of fun, education and enjoyment. At last, a library of cassette programs for you TI-99/4A at a *REMARKABLY LOW PRICE*.



- Games
- Educational
- Demonstration
- Informational/Useful

★ Enjoy 80 cassette programs *only* \$39⁹⁵. Shipping Included. Fast Service. All orders are shipped within 24 hours.

Order Today. Send Check - Money Order - or Visa/MasterCard information to:

THE EXCHANGE

P.O. Box 46 • Sterling, Virginia 22170

"Affordable Software from **THE EXCHANGE**"

Free Catalog
Included



TI-99/4 LIGHTPEN

This current feature is a Lightpen, which you can build from purchased parts. Firstly, here are the parts needed...

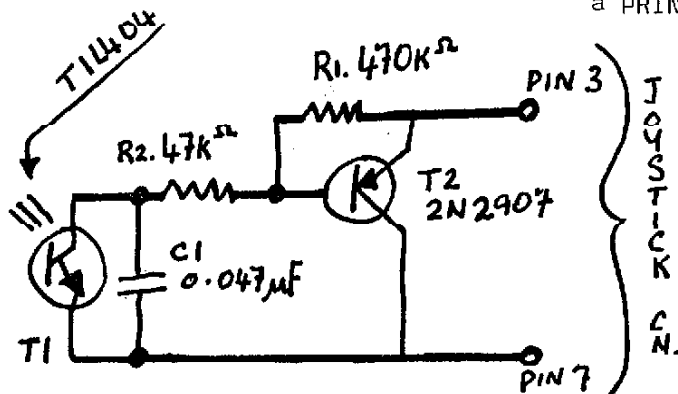
- (1) 9-PIN "D" CONNECTOR
- (2) RG 174/U COAXIAL CABLE
- (3) DA 20261 SHIELD
- (4) FELT-TIP or BALL POINT PEN CASE OR SUBSTITUTE
- (5) 470 K-OHM RESISTOR
- (6) 47 K-OHM RESISTOR
- (7) .047uf CAPACITOR
- (8) TIL404 TRANSISTOR
- (9) 2N2907 TRANSISTOR

THE PHOTO-TRANSISTOR IS CONNECTED TO ONE END OF THE WIRE AND INSERTED INTO THE PEN CASE. IT CAN BE HELD IN PLACE BY SILICONE GLUE.

THE REST OF THE COMPONENTS CAN BE CONNECTED TOGETHER JUST BEFORE THE JOYSTICK CONNECTOR. IT IS ADDED BY USING PINS 3 & 7.

A SAMPLE PROGRAM IS AVAILABLE, CALLED TIC-TAC-TOE (WITH LIGHT PEN)...Shane has a copy of this game for you to obtain upon request, and can be added to your December Free Club Software tape, along with a PRINT-OUT of the program.

Kevin Newnham (Co-Ord. Perth)



For more information on the light pen see Dick Bies at the meeting, he has a program that he is putting in the library that works with the pen also.

Software Copyrights

As a TI-recognized users group, you probably have a legal status under the laws of most states, as do other types of organizations and businesses. The establishment of your group as an entity is the purpose of your constitution and operating procedures. This establishment provides your group with many benefits and advantages, but it also carries responsibilities with it. One responsibility you might not realize concerns the programs in your software library.

In general, there are two types of programs: those which are "in the public domain" (have no restrictions as to duplication and distribution), and those which are copyrighted. The purpose of a copyright is to prevent unauthorized duplication and/or distribution of intellectual property such as computer software. You should exercise caution when accepting copyrighted software into your users group library.

Most groups appear to be conscientious about handling software which is known to be covered by copyright. Be sure the copyright status of every program in your library is known, especially those programs obtained through exchanges with other users groups. Most groups are not aware that program listings which appear in magazines and books are often copyrighted. The publisher usually intends for the purchaser of these magazines or books to key the programs into a computer for personal use. The acceptance of one of these programs into your library for eventual distribution to your members might be an infringement of copyright, since the program could be distributed contrary to the wishes of the holder of the copyright.

In order to protect all of his or her rights under the copyright, the author or publisher could resort to litigation. Proper identification and handling of copyrighted software, therefore, is necessary to avoid a possible legal liability by your group, its officers, and members.

This summary is not intended to be legal advice. The copyright laws are fairly complex, and the laws concerning the status of groups such as yours vary from state to state. If you are unsure of your group's status, or you wish to better understand the issues concerning copyright law as it pertains to software, we strongly recommend that you seek the advice of competent legal counsel.

TIPS FROM THE TIGERCUB #4

MANY THANKS TO ALL OF YOU WHO HAVE SENT ME YOUR NEWSLETTERS, AND A SPECIAL THANKS TO THOSE OF YOU WHO HAVE MENTIONED TIGERCUB SOFTWARE.

ONE OF THE NEWSLETTERS PUBLISHED A ROUTINE TO LINE UP THE DECIMALS VERTICALLY IN A COLUMN OF FIGURES. THE ALGORITHM WAS 6 LINES LONG, TOOK 760 BYTES, AND WOULD NOT HANDLE MIXED POSITIVE AND NEGATIVE NUMBERS. ANOTHER PUBLISHED ROUTINE WAS SHORTER BUT COULD NOT HANDLE MIXED WHOLE NUMBERS AND DECIMALS. I THOUGHT I COULD DO BETTER THAN THAT, AND CAME UP WITH THIS 88-BYTE ONE-LINER WHICH COLUMNIZES BOTH POSITIVE AND NEGATIVE NUMBERS:
PRINT TAB(C-LEN(STR\$(INT(ABS(X))))-(X<1)+(X<0)+(X<0)*(X>-1));X . C IS THE COLUMN SELECTED FOR THE DECIMAL, AND X IS THE NUMBER TO BE COLUMNIZED.

I WAS RATHER PROUD OF MYSELF, UNTIL I RECEIVED THE 4A FORUM OF THE CENTRAL IOWA 99/4A USER'S GROUP, IN WHICH JOHN "JEB" HAMILTON HAD WRITTEN THIS LITTLE JEWEL OF A ONE-LINER WHICH DOES THE SAME THING IN ONLY 64 BYTES - PRINT TAB(C-POS(STR\$(X)&".", ". ", 1)-(X<0));X
THERE ARE MANY WAYS TO SKIN THE CAT!

ALMOST OUT OF MEMORY SO,
HAPPY HACKIN'

JIM PETERSON

The P.U.G. USER GROUP now has a office space for the usage of it's equipment by club members. You now have access to the complete library and the use of the P Box with disk drive to copy your programs.

It will be open 7 days a week. The people who have donated the \$5.00 will have first preference in using the equipment. Please call in advance to reserve the time and day you want.

The phone number is 653-3636

We hope to be able to make good use of this space for the kinds of activities that you were not able to find the time for in the past. It's now up to everyone to make suggestions on this space usage, if not we drop the space and go back to the old once a month get-together.

The address is 90 Clairton Blvd. in the MOWRY BLDG. by the Pleasant Hills Cloverleaf.

FREE PRIZE

We will have another door prize to give away at this meeting thanks to TIM CAMPBELL, it's a moonbeam cassette called DEATH DRONES it runs in basic.

Text-To-Speech

Those of you who have the new TE-II should be aware that when used with TI's Solid State Speech Synthesizer you can now make your 99/4 speak virtually any word in the English language. This can be done in basic and incorporated into almost any program. The minimum machine configuration is a 99/4, or 99/4A, a TE-II, and a synthesizer. We see many potential uses for this feature from an educational standpoint and it would seem to be an excellent product for the visually handicapped.

Here are a few helpful examples when modifying the pitch and slope, when using Text-To-Speech with a basic program.

These examples assume that you used the statement OPEN #1: "SPEECH". OUTPUT to open the Speech Synthesizer.

(1) To speak in a whisper; PRINT #1: "//0 0" followed by the PRINT statement with the words to be spoken.

(2) To speak in a high-pitched voice use: PRINT #1: "//10 32" followed by the PRINT statement with the words to be spoken.

(3) To speak in a low-pitched voice use: PRINT #1: "//63 202" followed by the PRINT statement with the words to be spoken.

MG DISCOVER TI POWER!

Discover Millers Graphics

Whether you're into fast action games, programming, or educational software, Millers Graphics products will challenge you and your TI 99.

• Professional quality • Easy to understand programming books • Exciting action games written in powerful Extended BASIC • Impressive, full color graphics • Dynamic sound effects • Educational software • 15-day money back guarantee • Fast delivery anywhere in the world

SMART PROGRAMMING GUIDE FOR SPRITES

This 80 page book will show you some of our professional programming secrets on how to:

- Use CALL PEEK
- Get sprites to pick up objects, eat dots and lay down a trail
- Shoot sprites without missing a coincidence
- Make one sprite chase another
- Write a general bar graphing program
- And much more. Extensive step-by-step documentation.



Helps you get the very most out of your TI 99 in Extended BASIC!

Only \$5.95 (plus shipping) from Millers Graphics

7 OUTSTANDING GAMES

- Alphabet Soup • Casino Blackjack
- The Pharaoh's Tomb • Battle Over Titan
- The Crazy Fun House (9 screens, 32 levels of fast action) • Blackbeard's Treasure
- And, coming soon, NIGHT MISSION!

Don't miss any of these exciting Millers Graphics games! \$14.95 on cassette, \$17.07 on disk (plus shipping)

★ **FREE CATALOG!** Send for your free catalog of Millers Graphics games, books and educational software today!

NAME _____
 ADDRESS _____
 CITY _____ STATE _____ ZIP _____
 COUNTRY _____

Mail to: **Millers Graphics**
 1475 West Cypress Ave. • San Dimas, CA 91773
 (714) 599-1431

PROGRAMS COMMODORE WON'T RUN ACCURATELY

SOUTH BAY T I USERS' GROUP

Christopher Schram
1317 Casland Ct.
San Jose, CA 95131
(408)926-4413

September 3, 1983

```
100 For N=1 to 100
110 If SQR(N)<> INT(SQR(N))
    Then 130
120 Print N
130 Next N
140 End
```

This program should Print out 10 perfect squares from 1 to 100 inclusive- Commodore prints only 6.

```
100 For I=1 to 0
110 Print I
120 Next I
130 End
```

This program should do absolutely nothing. Since It goes from 1 to 0 with I being incremented by 1, The computer should automatically skip the loop and Print nothing. Commodore Prints the number 1.

```
100 For N=2 to 5 Step.1
110 Print N;SQR(N)
120 Next N
```

This program is supposed to calculate the square root of 2, then 2.1, 2.2, ..., 4.9,5. Watch what happens when N 3.4.

```
100 For N=1 to 100 Step1
110 Print N
120 Next N
```

This program is simply supposed to start counting at 1 and go to 1.1,1.2,1.3, up to 100. Check it out on TI and Commodore.

```
100 For A=1 to 48
110 For B=A+1 to 49
120 For C=B+1 to 50
130 If A2+B2<>C2 THEN 150
140 Print A;B;C
150 Next C
160 Next B
170 Next A
```

The program below is supposed to figure Pythagorean Triples (numbers that can serve as the lengths of sides of a right triangle) The program is a solution to a problem in a High school math book. Try it on both TI and Commodore.

The program takes quite a while to Run-Commodore actually misses complete sets of Pythagorean triples. Use X-BASIC to speed processing time.

FOUNDATION
74 Claire Way
Tiburon, CA 94920

Dear Sirs:

This letter is a follow-up to the phone conversation I had with one of your people on Friday September 2nd. As I stated in the call, I am a member of the South-Bay T.I. Users Group, and along with several others in the group am an owner of the FOUNDATION 32K memory card. There are also a few members who have either the 32K or 128K card on order.

I have been using the FOUNDATION card since April of this year with a variety of software and have experienced no problems. One of our other members is a professional programmer who has been using your card in the process of developing ROM and disk-based game and utility programs for the 99/4A. In general, I have never heard any complaint about the FOUNDATION memory card from a user, and have always recommended it.

Now for the bad news.

Two weeks ago I purchased "Text-to-Speech (English)" (PHD 5076), a set of three machine-language programs, a database, and an Extended Basic calling program. This program does not run properly on my computer. The speech synthesizer outputs the first allophone of an input phrase and then the system locks up. It took me two weeks of testing and swapping components, including an hour-and-a-half at the Santa Clara T.I. Exchange Center, to isolate the problem down to the FOUNDATION 32K memory card. By now I have tried two FOUNDATION cards and two T.I. cards in three 99/4A systems and the program always runs perfectly with the T.I. cards and always locks up with the FOUNDATION cards.

There appears to be a design flaw in the FOUNDATION card that doesn't allow machine-language speech programs to run. Since your advertising claims, "Both the 32K and 128K Memory Card run the same programs as the TI card, including LOGO, Pascal, Extended Basic, and Assembler.", and since my tests indicate that this is not so, I thought you should be notified as soon as possible.

I know that you will want to remedy this situation as quickly as you can.

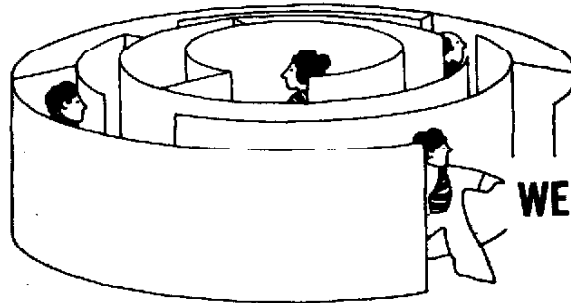
I would prefer to keep my FOUNDATION card, as until now I have been completely satisfied with its performance, but my programming needs dictate a functioning assembly-language speech capability, so the card must be replaced. would you prefer to exchange my card for a corrected version or to buy it back?

I would appreciate a timely reply to this letter because my new software is gathering dust.

Speechlessly yours,

Christopher Schram

TIRED OF THAT LOST FEELING OF WHERE DO I GO TO FIND NEW TI SOFTWARE?



WELL IT'S FINALLY HERE!

A STORE THAT CARRIES NOTHING BUT PRODUCTS FOR YOUR T I HOME COMPUTER.

NOW YOU JUST HAVE TO MAKE ONE CALL OR VISIT TO FIND OUT WHAT'S NEW AND EXCITING IN SOFTWARE, HARDWARE AND ACCESSORIES FOR YOUR COMPUTER.

- Programs
- Books
- Magazines

- Peripherals
- Accessories
- Disks

OPEN 7 DAYS A WEEK
HOURS ARE:

1 To 9 M-F; 10 To 9 Sat.; 1 To 5 Sunday

SOUTH HILLS COMPUTER IN THE MOWRY BLDG., 90 CLAIRTON BLVD., NEXT TO ROY RODGERS, RT. 51 SOUTH PAST THE PLEASANT HILLS CLOVERLEAF PHONE 653-3636

Reprint from SGV 99/4 USERS' GROUP

5 I MENU DRIVEN PROGRAM
LOADER FOR DISKETTE
BASED PROGRAMS.

6 I BY
CRAIG MILLER
MILLERS GRAPHICS

7 I your program titles are
assigned to A\$(1) thru
A\$(9) and the file names
for these programs are
placed into lines
140 thru 220

10 CALL CLEAR :: CALL DELSPR
ITE(ALL):: CALL CHARSET :: C
ALL CHAR(136,"FFFFFFFFFFFF
FFOFFFFF"): CALL COLOR(14
,5,8)

20 A\$(0)=" 0 To Exit" ::
A\$(1)=" 1 My Program one"
:: A\$(2)=" 2 My Program
two" :: A\$(3)=" 3 My Prog
ram three"

30 A\$(4)=" 4 My Program f
our" :: A\$(5)=" 5 My Prog
ram five" :: A\$(6)=" 6 My
Program six"

40 A\$(7)=" 7 My Program s
even" :: A\$(8)=" 8 My Pro
gram eight" :: A\$(9)=" 9
My Program nine"

50 CALL SCREEN(7):: FOR I=1
TO 12 :: CALL COLOR(I,2,8)::
NEXT I :: CALL HCHAR(24,1,1
36,64):: CALL VCHAR(1,32,136
,48)

60 DISPLAY AT(3,6):"PROGRAM
SELECTION" :: CALL HCHAR(4,7
,137,19)

70 DISPLAY AT(8,1):A\$(1):A\$(
2):A\$(3):A\$(4):A\$(5):A\$(6):A
\$(7):A\$(8):A\$(9) :: A\$(0)

80 DISPLAY AT(22,1):"From th
e Software Library of The S
GV 99/4 Users Group"

90 DISPLAY AT(6,1):: CALL SO
UND(140,660,8):: CALL SOUND(
140,550,8):: DISPLAY AT(6,1)
:"press for"

100 FOR I=1 TO 150 :: CALL K
EY(0,K,S):: IF S=1 THEN IF K
>57 OR K<48 THEN CALL SOUND(
150,220.2)ELSE 120

110 NEXT I :: GOTO 90

120 CALL CLEAR :: K=K-48 ::
IF K THEN CALL SCREEN(5):: A
\$(K)=SEG\$(A\$(K),7,22):: I=(2
8-LEN(A\$(K)))/2 ELSE END

130 DISPLAY AT(9,11):"LOADIN
G" :: :TAB(1):A\$(K) :: :TAB(
9):"PLEASE WAIT" :: ON K GOT
O 140,150,160,170,180,190,20
0,210,220

140 RUN "DSK1.MYPRO1"

150 RUN "DSK1.MYPRO2"

160 RUN "DSK1.MYPRO3"

170 RUN "DSK1.MYPRO4"

180 RUN "DSK1.MYPRO5"

190 RUN "DSK1.MYPRO6"

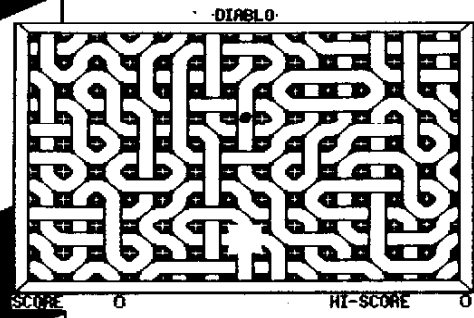
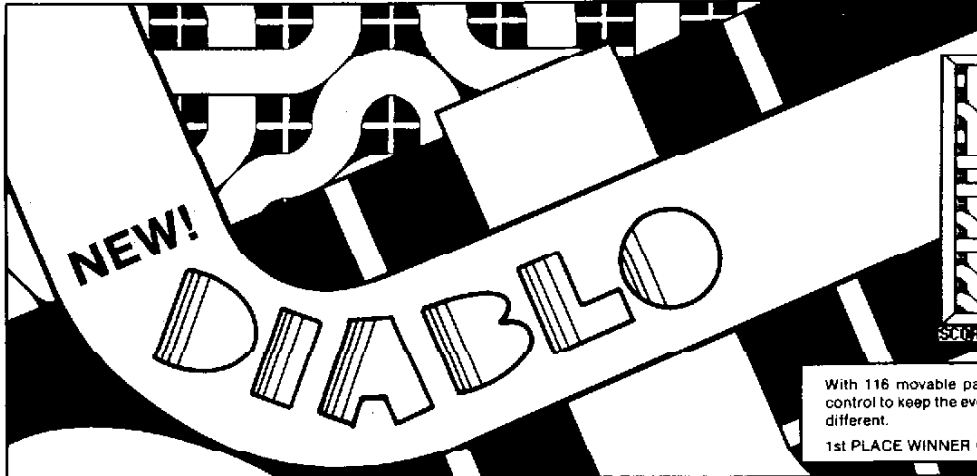
200 RUN "DSK1.MYPRO7"

210 RUN "DSK1.MYPRO8"

220 RUN "DSK1.MYPRO9"

SOFTWARE FOR THE 99/4(A)

FROM **ES** COMPANY



With 116 movable panels, this game demands strategy, planning & decisive control to keep the ever-advancing ball from rolling off the board. Every board is different.
1st PLACE WINNER OF THE T.I.S.H.U.G. AUSTRALIA CONTEST

MASTER DISK FILE — A master index of your disks.
MASTER DISK FILE uses a large portion of the 90K bytes available on a single sided disk as virtual memory to create and store a perpetual file of disks, programs and applicable data. Data can be added, removed or updated. The file may then be accessed for viewing on the screen or for printing several types of lists on a printer.
Insert disk into drive, it is catalogued then can be filed.
Reads up to 95 programs and files per disk.
Maximum of 120 disks or 1100 programs may be filed.
Does not require memory expansion.
Supports single or double sided disks (or mixed).
Supports single or multiple drives.
Programs are catalogued from disk in order and merged into the file; no sort is required after filing.
SEARCH for disks or programs by name.
Look-up time from a cold start: under one minute; from a running program: 15 to 25 seconds!
List on screen or a printer in alphabetical order by program name or disk name.
Up-date disks that have been changed by inserting into drive. Automatically replaces and up-dates old information.
May be used without a printer (on screen); file is portable and can be taken to a friend's for printing.
Supports any printer: serial or parallel.
Diskette (only) \$15.00
GUARANTEED TO BE THE BEST DISK CATALOG UTILITY FOR THE 99/4A

MASTER DISK FILE

Summary of Disks

DISKNAME	AVAIL	USED	# PROG
MASTERDISK	238	128	
PAK/1	289	149	
PAK/11	164	219	
SCREEN/DMP	238	194	
TYPWRITER	344	120	
	286	78	

SECTORS: 1628 AVAILABLE, 684 USED
TOTALS: 7 DISKS, 43 PROGRAMS

GAMES PAK/III
KONG — must fight his way past barrels, ladders & trap doors to save Roxanne from Igor's bomb. Six different screens. Joystick req. \$15.00
BOUNCER — bounds from one trampoline to another, scoring points while avoiding the arrows which will burst him. 6 screens. Joysticks req. \$15.00
ROMEO — must traverse a desert, stream (alligators & sharks) & cavern to obtain a fitting reward. Joysticks req. \$15.00

GAMES PAK/II
ARTILLERY — The opposing force must be destroyed by determining angle and force of each shot. An ever-changing wind complicates matters. 1 or 2 players. \$9.95
DE-CYPHER — An encrypted message is displayed and guesses change all corresponding letters to the guess. Comes with 50 messages which can be changed. \$9.95
PUZZLE 15 — Slide alphabetic squares into order. Multiple squares may be moved. Computer keeps track of moves & has replay feature. \$9.95
FLIP CHECKERS — Sandwich opponent's piece to flip it to your color. 1 or 2 players. Real-time clock. Fast computer decisions. Joysticks req. \$9.95

GAMES PAK/I
FROGGY — Jump FROGGY across 10 lanes of traffic, then across 6 logs. Keyboard or joysticks. \$9.95

EXTENDED BASEBALL - Joystick control of the pitcher & batter, and individual batting averages. Multi-base & multi-runner plays. Joysticks req. \$9.95

GORFIA PESTULITIS - Joystick control of a laser sight or inertia influenced space mines to shoot down the invading Gorfians. Joysticks req. \$9.95

EXTENDED HANGMAN - Quick graphics, music, color, speech (optional) and sound are added to keep the players entertained. Includes 580 words of 4 to 9 letters in length in easy, medium and difficult groups. \$9.95

TIC-TAC-TOE — Quick set-up and quick decision making at four levels of difficulty. The levels avoid the frustration of the novice never having a chance to win. \$9.95

TYPWRITER
A 16K WORD PROCESSOR on Cassette or Disk
Any Input/Output storage of text — disk, cassette, cassette input/disk output, or vice versa.
Selectable *right justify*.
Complete text *editing* — by cursor control; including insert & delete lines, partial print, printer halt or abort without text loss, page FWD & BKWD, and more.
Complete *Software Control of Printer* (depending upon its capabilities) — for enhanced print, underlining, formatting, 28 to 254 characters per print line, etc.
No Special Equipment — monitor, console. Extended Basic module, C or D, printer.
Comes with a 20 page instruction booklet.
Cassette \$32.00 Diskette \$35.00

SCREEN/DUMP — Print the screen to a dot-addressable, 8-bit printer. Does not require extra memory! Disk version is simple to use. Cassette version requires mild programming knowledge. \$12.00

NAME-IT
DATA BASE for: Mail Lists, Labels, Files
Records: 250 records per diskette consisting of up to nine 28-character items per record.
Prompts: user designated prompts.
Complete File Sort: 250 records in 100 Seconds
Search: Pre-set: print labels & lists.
Includes a FORM LETTER program that uses NAME-IT data in TYPWRITER generated form letters
Cassette version differs from disk version.
Cassette \$32.00 Diskette \$35.00

NOTE: Should you decide to up-grade to the TI-WRITER module, TYPWRITER and NAME-IT data can be converted for use by that module. NAME-IT alone, will generate 250 TI-WRITER form letter records.
TI-WRITER is copyrighted software of Texas Inst.
A detailed catalog is available free. Circle "FREE" on the order form or send a letter or postcard.

ORDER FORM EXTENDED BASIC MODULE REQUIRED FOR ALL PROGRAMS

CATALOG	FREE	\$	FREE
GAMES PAK/I	\$26.95 (C or D)	\$	
GAMES PAK/II (Froggy, Extended Baseball, Gorfia Pestulitis, Extended Hangman, Tic-Tac-Toe)	\$26.95 (C or D)	\$	
GAMES PAK/III (Artillery, De-Cypher, Puzzle 15, Flip Checkers)	\$26.95 (C or D)	\$	
GAMES PAK/III (Kong, Bouncer, Romeo)	\$32.00 (C price)	\$	
TYPWRITER (word processor)	\$35.00 (D price)	\$	
NAME-IT (data base/mail list)	\$32.00 (C price)	\$	
	\$35.00 (D price)	\$	
SCREEN/DUMP (printer required)	\$12.00 (C or D)	\$	
MASTER DISK FILE	\$15.00 (D only)	\$	
INDIVIDUAL GAMES:			
DIABLO	\$19.95 (C or D)	\$	
<input type="checkbox"/> Froggy	<input type="checkbox"/> Extended Baseball	<input type="checkbox"/> Gorfia Pestulitis	<input type="checkbox"/> Extended Hangman
<input type="checkbox"/> Tic-Tac-Toe	<input type="checkbox"/> Artillery	<input type="checkbox"/> De Cypher	<input type="checkbox"/> Puzzle 15
			<input type="checkbox"/> Bouncer
			<input type="checkbox"/> Romeo
			<input type="checkbox"/> Flip Checkers
			<input type="checkbox"/> Kong
			<input type="checkbox"/> Froggy
			<input type="checkbox"/> Diabolo
			<input type="checkbox"/> Screen/Dump
			<input type="checkbox"/> Master Disk File
			<input type="checkbox"/> Name-It
			<input type="checkbox"/> Typewriter
			<input type="checkbox"/> Screen/Dump
			<input type="checkbox"/> Typewriter
			<input type="checkbox"/> Name-It
			<input type="checkbox"/> Typewriter
			<input type="checkbox"/> Screen/Dump
			<input type="checkbox"/> Typewriter
			<input type="checkbox"/> Name-It
			<input type="checkbox"/> Typewriter
			<input type="checkbox"/> Screen/Dump
			<input type="checkbox"/> Typewriter
			<input type="checkbox"/> Name-It
			<input type="checkbox"/> Typewriter
			<input type="checkbox"/> Screen/Dump
			<input type="checkbox"/> Typewriter
			<input type="checkbox"/> Name-It
			<input type="checkbox"/> Typewriter
			<input type="checkbox"/> Screen/Dump
			<input type="checkbox"/> Typewriter
			<input type="checkbox"/> Name-It
			<input type="checkbox"/> Typewriter
			<input type="checkbox"/> Screen/Dump
			<input type="checkbox"/> Typewriter
			<input type="checkbox"/> Name-It
			<input type="checkbox"/> Typewriter
			<input type="checkbox"/> Screen/Dump
			<input type="checkbox"/> Typewriter
			<input type="checkbox"/> Name-It
			<input type="checkbox"/> Typewriter
			<input type="checkbox"/> Screen/Dump
			<input type="checkbox"/> Typewriter
			<input type="checkbox"/> Name-It
			<input type="checkbox"/> Typewriter
			<input type="checkbox"/> Screen/Dump
			<input type="checkbox"/> Typewriter
			<input type="checkbox"/> Name-It
			<input type="checkbox"/> Typewriter
			<input type="checkbox"/> Screen/Dump
			<input type="checkbox"/> Typewriter
			<input type="checkbox"/> Name-It
			<input type="checkbox"/> Typewriter
			<input type="checkbox"/> Screen/Dump
			<input type="checkbox"/> Typewriter
			<input type="checkbox"/> Name-It
			<input type="checkbox"/> Typewriter
			<input type="checkbox"/> Screen/Dump
			<input type="checkbox"/> Typewriter
			<input type="checkbox"/> Name-It
			<input type="checkbox"/> Typewriter
			<input type="checkbox"/> Screen/Dump
			<input type="checkbox"/> Typewriter
			<input type="checkbox"/> Name-It
			<input type="checkbox"/> Typewriter
			<input type="checkbox"/> Screen/Dump
			<input type="checkbox"/> Typewriter
			<input type="checkbox"/> Name-It
			<input type="checkbox"/> Typewriter
			<input type="checkbox"/> Screen/Dump
			<input type="checkbox"/> Typewriter
			<input type="checkbox"/> Name-It
			<input type="checkbox"/> Typewriter
			<input type="checkbox"/> Screen/Dump
			<input type="checkbox"/> Typewriter
			<input type="checkbox"/> Name-It
			<input type="checkbox"/> Typewriter
			<input type="checkbox"/> Screen/Dump
			<input type="checkbox"/> Typewriter
			<input type="checkbox"/> Name-It
			<input type="checkbox"/> Typewriter
			<input type="checkbox"/> Screen/Dump
			<input type="checkbox"/> Typewriter
			<input type="checkbox"/> Name-It
			<input type="checkbox"/> Typewriter
			<input type="checkbox"/> Screen/Dump
			<input type="checkbox"/> Typewriter
			<input type="checkbox"/> Name-It
			<input type="checkbox"/> Typewriter
			<input type="checkbox"/> Screen/Dump
			<input type="checkbox"/> Typewriter
			<input type="checkbox"/> Name-It
			<input type="checkbox"/> Typewriter
			<input type="checkbox"/> Screen/Dump
			<input type="checkbox"/> Typewriter
			<input type="checkbox"/> Name-It
			<input type="checkbox"/> Typewriter
			<input type="checkbox"/> Screen/Dump
			<input type="checkbox"/> Typewriter
			<input type="checkbox"/> Name-It
			<input type="checkbox"/> Typewriter
			<input type="checkbox"/> Screen/Dump
			<input type="checkbox"/> Typewriter
			<input type="checkbox"/> Name-It
			<input type="checkbox"/> Typewriter
			<input type="checkbox"/> Screen/Dump
			<input type="checkbox"/> Typewriter
			<input type="checkbox"/> Name-It
			<input type="checkbox"/> Typewriter
			<input type="checkbox"/> Screen/Dump
			<input type="checkbox"/> Typewriter
			<input type="checkbox"/> Name-It
			<input type="checkbox"/> Typewriter
			<input type="checkbox"/> Screen/Dump
			<input type="checkbox"/> Typewriter
			<input type="checkbox"/> Name-It
			<input type="checkbox"/> Typewriter
			<input type="checkbox"/> Screen/Dump
			<input type="checkbox"/> Typewriter
			<input type="checkbox"/> Name-It
			<input type="checkbox"/> Typewriter
			<input type="checkbox"/> Screen/Dump
			<input type="checkbox"/> Typewriter
			<input type="checkbox"/> Name-It
			<input type="checkbox"/> Typewriter
			<input type="checkbox"/> Screen/Dump
			<input type="checkbox"/> Typewriter
			<input type="checkbox"/> Name-It
			<input type="checkbox"/> Typewriter
			<input type="checkbox"/> Screen/Dump
			<input type="checkbox"/> Typewriter
			<input type="checkbox"/> Name-It
			<input type="checkbox"/> Typewriter
			<input type="checkbox"/> Screen/Dump
			<input type="checkbox"/> Typewriter
			<input type="checkbox"/> Name-It
			<input type="checkbox"/> Typewriter
			<input type="checkbox"/> Screen/Dump
			<input type="checkbox"/> Typewriter
			<input type="checkbox"/> Name-It
			<input type="checkbox"/> Typewriter
			<input type="checkbox"/> Screen/Dump
			<input type="checkbox"/> Typewriter
			<input type="checkbox"/> Name-It
			<input type="checkbox"/> Typewriter
			<input type="checkbox"/> Screen/Dump
			<input type="checkbox"/> Typewriter
			<input type="checkbox"/> Name-It
			<input type="checkbox"/> Typewriter
			<input type="checkbox"/> Screen/Dump
			<input type="checkbox"/> Typewriter
			<input type="checkbox"/> Name-It
			<input type="checkbox"/> Typewriter
			<input type="checkbox"/> Screen/Dump
			<input type="checkbox"/> Typewriter
			<input type="checkbox"/> Name-It
			<input type="checkbox"/> Typewriter
			<input type="checkbox"/> Screen/Dump
			<input type="checkbox"/> Typewriter
			<input type="checkbox"/> Name-It
			<input type="checkbox"/> Typewriter
			<input type="checkbox"/> Screen/Dump
			<input type="checkbox"/> Typewriter
			<input type="checkbox"/> Name-It
			<input type="checkbox"/> Typewriter
			<input type="checkbox"/> Screen/Dump
			<input type="checkbox"/> Typewriter
			<input type="checkbox"/> Name-It
			<input type="checkbox"/> Typewriter
			<input type="checkbox"/> Screen/Dump
			<input type="checkbox"/> Typewriter
			<input type="checkbox"/> Name-It
			<input type="checkbox"/> Typewriter
			<input type="checkbox"/> Screen/Dump
			<input type="checkbox"/> Typewriter
			<input type="checkbox"/> Name-It
			<input type="checkbox"/> Typewriter
			<input type="checkbox"/> Screen/Dump
			<input type="checkbox"/> Typewriter
			<input type="checkbox"/> Name-It
			<input type="checkbox"/> Typewriter
			<input type="checkbox"/> Screen/Dump
			<input type="checkbox"/> Typewriter
			<input type="checkbox"/> Name-It
			<input type="checkbox"/> Typewriter
			<input type="checkbox"/> Screen/Dump
			<input type="checkbox"/> Typewriter
			<input type="checkbox"/> Name-It
			<input type="checkbox"/> Typewriter
			<input type="checkbox"/> Screen/Dump
			<input type="checkbox"/> Typewriter
			<input type="checkbox"/> Name-It
			<input type="checkbox"/> Typewriter
			<input type="checkbox"/> Screen/Dump
			<input type="checkbox"/> Typewriter
			<input type="checkbox"/> Name-It
			<input type="checkbox"/> Typewriter
			<input type="checkbox"/> Screen/Dump
			<input type="checkbox"/> Typewriter
			<input type="checkbox"/> Name-It
			<input type="checkbox"/> Typewriter
			<input type="checkbox"/> Screen/Dump
			<input type="checkbox"/> Typewriter
			<input type="checkbox"/> Name-It
			<input type="checkbox"/> Typewriter
			<input type="checkbox"/> Screen/Dump
			<input type="checkbox"/> Typewriter
			<input type="checkbox"/> Name-It
			<input type="checkbox"/> Typewriter
			<input type="checkbox"/> Screen/Dump
			<input type="checkbox"/> Typewriter
			<input type="checkbox"/> Name-It
			<input type="checkbox"/> Typewriter
			<input type="checkbox"/> Screen/Dump
			<input type="checkbox"/> Typewriter
			<input type="checkbox"/> Name-It
			<input type="checkbox"/> Typewriter
			<input type="checkbox"/> Screen/Dump
			<input type="checkbox"/> Typewriter
			<input type="checkbox"/> Name-It
			<input type="checkbox"/> Typewriter
			<input type="checkbox"/> Screen/Dump
			<input type="checkbox"/> Typewriter
			<input type="checkbox"/> Name-It
			<input type="checkbox"/> Typewriter
			<input type="checkbox"/> Screen/Dump
			<input type="checkbox"/> Typewriter
			<input type="checkbox"/> Name-It
			<input type="checkbox"/> Typewriter
			<input type="checkbox"/> Screen/Dump
			<input type="checkbox"/> Typewriter
			<input type="checkbox"/> Name-It
			<input type="checkbox"/> Typewriter
			<input type="checkbox"/> Screen/Dump
			<input type="checkbox"/> Typewriter
			<input type="checkbox"/> Name-It
			<input type="checkbox"/> Typewriter
			<input type="checkbox"/> Screen/Dump
			<input type="checkbox"/> Typewriter
			<input type="checkbox"/> Name-It
			<input type="checkbox"/> Typewriter
			<input type="checkbox"/> Screen/Dump
			<input type="checkbox"/> Typewriter
			<input type="checkbox"/> Name-It
			<input type="checkbox"/> Typewriter
			<input type="checkbox"/> Screen/Dump
			<input type="checkbox"/> Typewriter
			<input type="checkbox"/> Name-It
			<input type="checkbox"/> Typewriter
			<input type="checkbox"/> Screen/Dump
			<input type="checkbox"/> Typewriter
			<input type="checkbox"/> Name-It
			<input type="checkbox"/> Typewriter
			<input type="checkbox"/> Screen/Dump
			<input type="checkbox"/> Typewriter
			<input type="checkbox"/> Name-It
			<input type="checkbox"/> Typewriter
			<input type="checkbox"/> Screen/Dump
			<input type="checkbox"/> Typewriter
			<input type="checkbox"/> Name-It
			<input type="checkbox"/> Typewriter
			<input type="checkbox"/> Screen/Dump
			<input type="checkbox"/> Typewriter
			<input type="checkbox"/> Name-It

Jonathan's Corner

With the price of TI hardware and software going down, getting a telecommunications set-up may not be a bad idea.

Telecommunication is the exchange of information by telephone, especially through the use of a computer. This concept allows a home computer to access an unlimited amount of information from a larger remote computer, called a mainframe. This can include anything from the latest financial news to an electronic bulletin board where users can communicate from all over the country.

Local universities, such as Carnegie-Mellon and the University of Pittsburgh, sponsor computers which are designed for people with terminals, computers which must receive all of their instructions from a mainframe.

Other large computers are privately owned and are designed for people who use a mainframe as an addendum to their current set-up. There are two main services which do this. One is CompuServe Information Service, a subsidiary of H&R Block. This service is available for all computers and has the basic functions of a mainframe, including up-to-the-minute AP news, weather, and financial news, an electronic bulletin board, Special Interest Groups, and multi-user simulations.

A bulletin board service, or BBS, allows people to post messages under the categories of sale, wanted, or notice. These are then read by other interested users. A Special Interest Group, or SIG, lets users who share a common interest in a particular subject get together to share their knowledge. Multi-user simulations make a massive conference line out of the service, providing a CB simulation where users type at each other on different channels, or a science fiction game where each user has a spaceship at his command. There is also a mail service where messages can be left from one user to another.

The second service of this type is The SOURCE. The SOURCE entails the same features as CompuServe, but it has a special section devoted to TI users, too. This section includes a SIG, a BBS, and a free downloading service. Downloading is the transfer of a file from the remote computer to the terminal. In this case it pertains to free software for the TI, downloaded at your convenience. The only drawback to this is that downloading is just as slow as cassette loading of programs. This means a large amount of connect time must be spent in order to get a program. Connect time is the time spent on a mainframe. This is important because these services charge a rate which can be anywhere from \$5 an hour to \$200 an hour.

CompuServe is \$19.95 initially, with a charge of \$12.50/hour during peak hours (6AM to 6PM) and \$6.00/hour during standard time (6PM to 6AM). These prices are relatively inexpensive when compared to The SOURCE's initial charge of \$100 with \$20/hour peak and \$12/hour standard charges thereafter.

To access any of these mainframes with a TI, several pieces of hardware and software are required. First, an RS232 interface is needed. TI's current price is \$80 for

this card. The card is designed to fit into the Peripheral Expansion System which is now available free with a special deal from TI. A telephone modem (short for 'modulator-demodulator') is also required. TI's is \$100, but there are also third-party modems adaptable to the TI for about \$70, and they are usually of better quality. An RS232 is also required for a printer, and it can be hooked up to both a printer and a modem at once. Once these are purchased, a plug-in module called 'Terminal Emulator II' is needed. This runs around \$35. One note is that the TI modem comes with a required cable while most third-party modems do not. You should add about \$20 extra for this cable if you buy a third party modem.

There are also specialized services which range from a simple BBS in Texas to a research service which allows over 200 sources to be accessed on any subject.

The world of telecommunications can open a new dimension to the computer and it is now within reach. If you have any questions on telecommunications or anything else concerning computers, you can contact me at:

Jonathan Zittrain
136 Thornberry Dr.
Pittsburgh, PA 15235

My phone number is (412)731-4895. Good luck!

Sincerely,

Jonathan Zittrain

Next Month: Do you need Extended BASIC?

THE GROUP HAS THE FOLLOWING TO SELL

- 75 10min. cassette tapes 35¢ each
- 225 Plastic cassette boxes 15¢ each
- 5 Boxes of Verbatim disk \$22.90 each
- 15 Smart Programming Guide For Sprites Books \$5.00 each

FOR SALE

Old style disk controller \$60.00
call Chuck 885-5692

NEW PRODUCTS FROM TI

We can probably expect to see Hex-Bus Peripherals in January or February.

TI has already begun shipping the Plato Software, beginning with a series of High School Math Programs. The Second Generation of Plato will have even more graphics and speech.

There is now an additional vocabulary disk available to use with the Terminal Emulator II and the Speech Synthesizer.

TI Pilot is in the final stages of development as well as other software for the growing market of users of the TI 99/4A.

Any new products from TI will be as compatible as possible with the current TI line of software and peripheral systems, according to TI representative, Ed Wiest.

USERS GROUPS

The growth of Users Groups has brought us from only 40 in January of 1983 to today:

- 179 Local Groups
- 21 Foreign Groups
- 5 International Groups

The Pittsburgh Users Group was one of the first local groups, having first been chartered in January, 1981.

PROGRAM TIPS

Most programmers use a "Cheat Sequence" to facilitate checking on various levels on a game program like "Munchman." This allows them to skip to higher levels without having to go through the normal progression.

Several common "Cheat Sequences" are as follows:

Munchman	* # *
Hopper	* # *
Moonmaid	Shift *

Have you found any others that you can share with the Group?

CC-40

TI has announced that 8-10 software cartridges will be available for this new product. But a hold has been placed on distribution of the computer and software until the Hex-Bus is released.

CENTRAL ALABAMA
 551 LARKWOOD DRIVE
 MONTGOMERY AL. 36109

