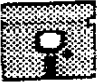


NEWS NET 99ER



VOLUME 5 NUMBER 9

SEPTEMBER 1987

Next meeting OCT. 3rd
At the Hurst Public Library
9 AM

President: Gary Higgs

Treasurer: Ken Dominiec

v. President: James Crosson

Secretary: Richard Beckman

Editor

Newsletter Staff

Ken Dominiec

Ken & Pat Dominiec & Doc Graves

The reviews, evaluations and opinions contained in articles in this newsletter are the authors' own and do not reflect the views of the NET 99er HCUG.

THE EDITOR SPEAKS(again)

This is getting to be a regular routine. Since I missed the meeting again I was told of how everyone dosen't like the four column format. Well we listen and you can see this is the old format. It is easier to do it this way but not very cost effective. I will have to reach into my bag of programs and find another way. Watch this newsletter for futher details.

Speaking of the newsletter, I would like to have someone help me. I am looking for someone to fold, put the labels on, sort by Zip Code and drop off at the Post Office. It is a very easy job and can be done in one night even while watching TV. If anyone is interested or would like to try let me know.

From the Suncoast Beeper here is a new call load. It is CALL INIT;;CALL LOAD(-31932,0) it will remove the * READY * from your Extended Basic screen. If you type it in your program it will stay gone, but if you just type it in before you run a program it will reappear after the program is finished.

The Central Westchester 99er has sent us a disk with a new Quick Load on it. It looks good. You can make this program list and run only the files you want and it has a section for your comments which loads with the program. This program will be avialable soon, as DDM or in the library. I will also give a demo on it when I get good at it so I know what I am talking about and when I show up at the meeting.

I had to take one of my guys at work to the doctor after he hurt his back. While I was sitting in the waiting room for him I picked up a copy of Sports Illistrated Sept. 7 1987. On page 4 was an article on David Fischer. He is the letter correspondent for Sports Illistrated. In the picture, on Davids lap was a beige 99/4A with a black cartridge in it. See the 99/4A is still in major publications.

We also received a disk of programs from Innovative Programming. I haven't looked at the disk yet but will let you know what it contains.

I would like to mention we have a new cheif librarian. Ron Miller has taken the job. I guess he was tired of me giving him subtle hints when we talked on the phone and over startext. Ron is an excelent person, as a friend and club member. Ron and I have

discussed his ideas of the library and I think we will notice a change. Lets all give Ron a big hand and help with his new job. Since Ron is taking over lets not forget John Lambert. John deserves a big Thank You for taking the library back. John always comes through when we need him. I think its time we tell John we appreciate his efforts. Thanks.

As you read on you will notice there are no minutes and treasurer reports in this letter. Our Secretary was on vacation and we forgot to ask someone to write the minutes, but you can read about the events at the last meeting from th President and Vice Presidents's letters. As for the Treasury report. Your faithfull Treasurer who had his own meeting Saturday (by myself in the rain and who should read his own newsletter) did not get all the money together from the various people to make this months statement. I will bring you up to date next month. Well it looks like thats all I have for this month. Ken

President's Memory Dump

Good bye summer....hello fall.....don't know about the rest of you, but personally I'm ready for a little cooler weather, especially when you consider the little sun bath we all took at the last meeting waiting for a certain someone to show up with the door keys! I couldn't resist that one, I know he had a reason for being late, he had forgotten the DOM disks! Ok...I'm through needling James...on with it. I have talked to Ken Dominiec and by the time you see this, it should be in something other than four column format. This newsletter has been getting out more timely lately, has been costing the group less to have it reproduced and still the only thing that anyone could say about it was something negative. Guess you can't make people happy no matter what you do. On the brighter side...Ron Miller has consented to be the group's new Chief Librarian, so after all the months without one, now we have one. Hope everyone will support Ron in this undertaking. Thanks alot Ron. While I'm thinking about it, I guess I should mention that the next meeting will be Saturday, October 3rd, 9:00am at the Hurst Public Library, barring any unforeseen circumstances. I know you might think it's a bit early to be mentioning this, but now is the time to start considering who will be running for club officer positions for next year. I have enjoyed being president and hopefully made some type of positive contribution during my tenure, but I will not be seeking any office in the coming year. The current slate of officers, for the most part, have all been involved directly or indirectly with the club for a number of years now and I think it is time for some new blood to step in and help out. If this does'nt happen, your guess will be as good as mine as to the future of the club. Since we did get a late start at the last meeting, everything I wanted to show or talk about was not accomplished due to either a lack of time or a malfunction in equipment. At the next meeting we will show a working console that has had the 16 bit bus conversion done to it by our very own James Crosson, as well as his other project which is a device to slow down the computer. Should make as interesting demo....I would like to say thanks to Jim Leshar and Richard Fleetwood who came to our last meeting and had many "goodies" to offer for sale. Hope you guys can come every month, I'm sure the membership and officers appreciate your presence. I know that lack of support of vendors, fairware authors, newsletter publishers is one of the things that is really hurting the TI community now, I hope it changes before it

becomes too late. I heard someone comment on a certain newsletter, about how it never came out on time, etc., but people don't realize that the people involved with it do it as a side line and not for a living, although they probably could if they had enough subscribers. Now is the time to get behind these people if you wish them to remain. I've been guilty of neglect myself, but I've changed that attitude, hope you will do the same. The TI Faire has now been postponed until April of next year, which should give us enough time to finish things up. I will be passing a sign-up sheet around at the next meeting for those who would like to volunteer a little time and effort in a worthwhile endeavor. We will also discuss the amount of financial support we will be willing to give, so if you have thoughts on this, let me know. With a little cooperation from everyone, the faire can be a big success. I could go on, but I'm getting tired of beating the key board, so guess I'll quit here... 'til next time.

Memory Empty Gary

UP review

It seems that it was only last week that we had our last meeting, however it has been two weeks. I was glad to see so many people at our last meeting and hope that everyone learned something or got at least what they came for. I was especially glad to see Mrs. Steel's presentation on TI-Logo. As you see from her demo that everybody has something to share with the group if they would. I would like to say THANK YOU MRS. STEEL for sharing with us your knowledge of Logo. Remember that everybody has certain gifts or interests that they excel in and you never know what you are capable of till you stretch out and try. You might not think that what you do would be of interest to others, but then you won't know if you don't ask. If everybody sat around and let someone else do all the demo's it wouldn't take long before everybody got bored. Since we are all different and all have different ideas and different concepts of how something should be done, we all have different ways of arriveing at the same conclusion. If we put these ideas together then we can come up with a superior way to conquer problems. Things have been pretty hectic lately for me with holding down a full time job and working a part time job also, and still trying to do club activities. I would like to apologize for getting to the meeting right as the meeting was due to start, but I had driven almost all the way there when I realized I had left the disk-of-the-month at home. You know the old saying about the best made plans of mice and men sometimes go a rye, well that seems to have been the case this time. In the future I will try to make a list of things to bring so I won't forget something next time. Due to the lack of time at the last meeting I didn't have enough time to try and demo the new 16-bit console or my version of Mack McCormic's attenuator(cpu speed control). If time permits I will try and demo these things and also a cassette program, if there is any interest. My wife says its time to hit the sack so let me sign off here and I will see ya at the next meeting which is Saturday 3rd of October at 9:00 a.m. James

LIBRARY CORNER

I thought I would let everyone know that I was assuming the librarians job as of the first of November and I hope to have several new programs and docs ready by the next meeting.

I will be using Archiver to pak files on the new disks that I put in, I believe this will make it easier for all to use as the programs and files will be as one large file, thus assuring you of getting all the files the first time that you copy a program for your use.

I also would like your ideas on the following: New programs you want to see or put into the library.

Any documentation that you have that may put in for others who don't have.

The possibility of perhaps a plan to copy the programs you want and mail them to you for a small fee to cover the cost of the disc, postage, and mailer or I might be able to send you them by phone if you a modem. This could save you a lot of time if you know we have it and don't want to pickup and return the disks to the library. It would save you a little gas and time, especially if you live a good distance from any of the librarians.

I plan to put into the newsletter the updates to the library if there is room in each issue, this will let you know what is put in if you aren't at the meeting to pick up the updates.

Any comments or suggestions for the library are welcomed, you can send them to me via startext or give me a call on voice 927-8831, ST mail code is 183804.

till the next issue

Ron Miller

MEMBERSHIP DEPT.

September 13, 1987

I would like to welcome new members:

Tom Collins M9/88 303 Byron Fort Worth Tx 76114 738-2428
878-8865

Richard Fleetwood M9/88 1125 Easton Rd Dallas Tx 75218
(214)328-9257

The following members renewed their membership:

Ciro F Lopiccicolo M7/88 Michael J Maier M6/88 Tom Woodard M8/88

Unfortunately we had some members who did not renew their membership:

Kevin Mantooth

The following members will be dropped if dues are not paid at the next meeting:

Dr Michael McLendon David L Shivers Danny B Thomas

A NOTE TO ALL MEMBERS. Look on your mailing label on your newsletter for the date that your membership is renewable, such as M1/86 is January 1986, M5/86 is May 1986, etc.. The club does not send out reminders on dues because the postage is prohibitive. If you know any of the members who did not renew, please give them a call and see if you can learn the reason. Let your officers know so they can look into the reasons. Your help on this will be greatly appreciated.

John Lambert Membership Chairman

CASSETTE

Before I get carried away here I would like to ask everyone's help on a couple of items. First some time back several people came to my house and borrowed both sets of teach yourself basic on cassette. We had at one time at least 4 sets of these tapes, and now we don't have even one. If you have borrowed these tapes please return them as there are other people that would like to use these tapes and it is hard to keep making new ones especially since these were the original ones donated by T I. The second thing I was going to ask your help in was that if you have some modules or tapes that you don't use anymore and you feel that you could part with them, then your club could use them if you were to donate them so that everybody that joins would have a chance to try them out to see if they should but one or not. Just remember when you first got your computer and what you started with and how people in the club helped get you started. The same thing holds true now, new owners still need help just like you did when you first started. And when the time comes they too will do their part in helping others when they need help, that's what a Users Group is, a number of people helping one another. Pitch in!! You'll feel good about it and you could just help get another user going. This month I plan to do a quick demo on the cassette library and also the new fast loader as well as explaining how to get going with a minimum system(Ti,cassette,extended basic or editor assembler and 32k built in console. Perhaps we can talk Gary into bringing his double banked 8k supercart and showing how he uses it. Believe me when I say that Gary is very imaginative where a super cart is involved. I guess I will call it a night so I will sign off now and I will see ya at the meeting Saturday the 3rd of October. James

DISCOVERY SIG: FULTON COOK CHAIRMAN

As a regular feature of the **DISCOVERY SIG** Meetings, we will have the **CASSETTE** and **DISK** Librarians and Libraries present.

As a **SPECIAL FEATURE** of the October **DISCOVERY SIG**, each person attending will receive, **FREE**, the latest version of **DM1000 V3.7**. This includes a free disk, too.

The next **DISCOVERY SIG** will meet on Tuesday, **OCTOBER 13, 1987** -7:00pm til ? at the 1st Baptist Church of Ft. Worth. The Church is located on the North side of Loop 820, between Haltom Road (exit 18) and Highway 377 (exit 19). Take the Haltom Road exit and go East on the access road (No you are not going the wrong way on a one way

road). The Church is the one with the Time Temp sign which may be seen from 820.

BRING A FRIEND I

If you need a Stabalizer for your Widget, Tom Hall has some for \$1.00 each.

Let's talk printers for a moment. Have you seen the new EPSON FX86e? Mail order price is \$280 to \$300, including tractor, shipping and tax if any. This printer uses the same commands that the T199/4 Impact Printer uses. It is 240 characters per second, 8K print buffer, NLQ and it has external keys for selecting the print type you want to use. Also included, is a Tractor Cover - this is a sound deadener and makes the printer about 50% quieter than a conventional dot matrix printer. Another feature, a "paper rest" guides the paper over the cables in the back of the printer. a "printer cover" can be used to feed individual sheets of cut paper, there is also an edge tab guide with this feature. An automatic cut sheet feeder is available, but costs extra. There is another 32K available for the print buffer, but it is extra also. In short, it will do everything your original TI dot matrix printer would do, plus some and do it a lot faster. This printer also has IBM Mode, which is selectable with dip switches. The dip switches are external

Incidentally, if you are looking for ribbons for the T199/4 Impact Printer, SOFT WAREHOUSE in Dallas has them for \$2.35, plus tax. Also there is a "MOBUS" ribbon available for less than \$4. This ribbon is designed so that it flips over after you have printed thru on it. This way you are not always using the same area of the ribbon. Susposedly, makes the print stay darker, longer.

If you have a STARTEXT Account will you please check GROUP 7 and see that your Mail Code is listed. If it isn't, let JOHN LAMBERT know, so he can get you into GROUP 7. TOM HALL

Hardware

This month we have a 16 bit console to demo as well as the speed control device I showed at the last meeting. We also have more word on the Gram Ram which is made by Databiotics. If there is still people out there that does not have 32k in their system then I suggest that they should because it is a very useful item and now it is very affordable now since you can put it in the console yourself. If you need help to build it and I will see what I can do to assist you. And by the way I thought that I might bring part of my system to the meeting so that others can see what I have been talking about on using swith plates on your Speech Synthesizer. Have fun and I will see ya at the meeting Saturday the 3rd of October.

James

THIS IS FROM STARTEXT ON:

Home computer users campaign against higher phone fees

WASHINGTON (AP) -- Home computer users have marshalled their high-tech forces to flood Federal Communications Commission and

congressional offices with thousands of letters opposing an FCC proposal that could double their telephone fees, officials said Wednesday. The three-month campaign has spread its word electronically through computer networks and produced roughly 4,200 letters sent to the FCC and more than 3,000 letters sent to Capitol Hill, according to officials at the agency and congressional offices. "We felt it was an issue of great enough concern to us and our subscribers that using the technology we have on hand would be a good way to communicate our concerns," said David Kishler, a spokesman for CompuServe, a Columbus, Ohio-based information service whose 350,000 subscribers make it the largest provider. CompuServe and other information services have been using their networks to inform subscribers about the proposal and give the names and addresses of FCC officials and members of Congress to whom they can send letters opposing it. "There has been no other issue that has so galvanized the information industry as this one has," said Tom Oberlin, spokesman for Vienna, Va.-based Quantum Computer Services, whose service is called QuantumLink. The proposal also has met resistance from the Reagan administration and on Capitol Hill. On Monday evening, the campaign succeeded in bringing an FCC attorney onto the computer-users' turf to explain electronically, computer-to-computer, its rationale for proposing to levy an access charge on computer networks and information services, which would be passed along to users. Attorney Ruth Milkman, sitting at a computer terminal connected to The Source, a McLean, Va.-based information service, fielded questions from about 30 home-computer users also connected to the service. "There is a certain amount of misinformation floating around," she said. "It's a more efficient way of answering questions." Computer users say the FCC's proposal could add about \$5 an hour to the cost of hooking up to data bases that provide such features as news stories, financial information, airline schedules, games like chess and bridge, and social messaging or chat services. For a low-priced service like QuantumLink, the additional charge would more than double its hourly rate of \$3.60, Oberlin said. The FCC said the access fee is aimed at making information providers pay their share of the cost of the telephone network. Similar access charges based on usage currently are paid by long-distance companies and passed along to callers to subsidize the cost of the local phone network. The Reagan administration agency that develops communications policy says the industry would be hurt by the higher fees and adds that the United States has taken the position with foreign countries that computer information networks should be charged differently from conventional telephone services. In a statement, Rep. Edward J. Markey, D-Mass., said he is concerned that increased costs "will strangle the development of this valuable emerging technology." He said he was particularly concerned that residential and non-profit information service users like libraries and hospitals would not be able to absorb the higher costs.

END -- COMP20 FORT WORTH STAR TELEGRAM

80 TRACK EPROM SET II DISK CONTROLLER

The II Disk Controller is capable of supporting up to three double sided single density (DS-SD) disk drives. The total number of available sectors is 720 per disk.

Disk Manager II from Texas Instruments was designed to support anything from 35 track drives, single sided single density (SS/SD)

all the way up to 80 tracks per side at double density! This last option was designed into the DMII software to provide an upgrade path to true QUAD density data storage. TI had designed a controller capable of supporting four double-sided double-density (DS-DD) 40 track or (DS/QD) 77 track disk drives to achieve a maximum of 63784 bytes or 2464 sectors per disk.

Obviously, TI did not release this new disk controller. The alternative is to purchase a CorComp or Myarc disk controller or update the existing TI disk drive controller.

With this pair of EPROMS which contain updated controller software, you can now support 80 track disk drives and achieve 1440 sectors per disk. This eeprom set will EFFECTIVELY provide double-density operation by using a quad density disk drive.

1. The EPROM set is installed in the TI Disk Controller Card for the Peripheral Expansion Box. You must remove the existing PROMS.

2. All other operations remain IDENTICAL. You can mix drives and formats i.e. one original 40 track drive and one or two 80 track drives.

3. Disk ManagerII from TI must be used to initialize the disks. Other disk manager programs will support the usual operations, but not initializing disks for 80 track.

3a. Monty Schmidt has written a new Command DOS which will be able to support this new format and other new features for the TI99/4a.(command DOS next month)

4. The data is written on twice as many tracks. Therefore it is NOT compatible with other disk formats i.e. Myarc or CorComp double density. (this has not yet been tested on a Myarc QUAD density controller.) It DOES remain compatible with the Standard format (SS/SD - DS/SD). Other controllers will read two tracks at once on the new format and produce read errors. Once a disk is formatted to 720 sectors per side, it must be used in the same drive.

5. Half height 80 track drives are used to achieve the increase in storage capacity. These 80 track drives are listed as 96 tracks per inch (tpi) or as QUAD density. These are advertised in the Computer Shopper for \$69 US funds.

5a. You will of course be able to use these 80 track drives with the Myarc disk controller and the Quad density option installed. The same with any 40 track drives you already have.

6. Either two half-height drives (one 40 track and the other 80 track) can be installed in the PE box. A separate disk drive case and power supply is another alternative.

7. This EPROM set has been tested with all these major software packages: TI Writer, Multiplan, Extended Basic, Editor Assembler, ect. This does not guarantee that it is fully compatible with All software available. Particular problems could possibly arise with software which accesses the disk controller on a direct level.

INSTALLATION: The procedure used to install these Eeproms is very simple. De-solder the existing Proms in the TI Disk Controller --U26 and U27. A de-soldering tool is essential. Solder in the two sockets (which we provide with every kit). Plug in the two eeproms -notch up with pin 1 in the upper left corner same as all the other chips on the board. Thats all there is to it!

Then re-assemble your system, adding the 80 track drive, ect. and start using 14400 sectors per disk.

You can even start by continuing to use your existing drive while you order your new 80 track drive. Be sure and get a dual drive cable (or a longer cable for a drive cabinet) and the proper

wiring harness to hook up two or more drives.

It is NOT recommended that you use two full power drives from the PE Box power supply. Plans for upgrading the PEB supply or using other power supply options for two or more drives have been published by Ryte Data and others.

If you have further questions: call (705) 457-2774 weekdays 9 to 5.

PRICE: The bottom line is \$45 US Funds or \$60 CDN Funds for the TI DDC PROM-SET. Package includes the two eproms programmed with the 80 track software; two low profile sockets for installation; full documentation with photos and diagrams plus a 60 day guarantee on parts and labor (if performed in our shop).

Personal checks, money order or MasterCard. Immediate delivery upon receipt of order. We can accommodate owners who wish to have the installation done for their disk controller card. Call for details.

Dave Ivanovich

(Taken from the July issue of Penn Ohio 99/4A User Group)

*****EDITOR'S NOTE:**

The deadline for contributions for the OCT. newsletter is Sat. Oct. 17th

Comments or questions about anything? Contact your officers:

PRESIDENT---: Gary Higgs, 817-738-9290 Startext MCS1107

U.PRESIDENT-: James Crosson, 817-281-4868 Startext MC167788

SECRETARY---: Richard Beckman, 817-232-2852 Startext MC160589

TREASURER---: Ken Dominiec 817-656-1473 Startext MC151357

Got some interesting info to share? Articles, letters, paragraphs, & words of wisdom are yours to contribute. Contact Ken Dominiec, editor. 817-656-1473. Startext MC151357

THE END

Using the FTERM/DIAL disk
with a Hayes Smartmodem

Richard J. Bailey
68A Church Street
Gonic, N.H. 03867
NH99ER USER GROUP

One of the disks we have in our library is a modification of the Fast-term terminal emulator program by Paul Charlton. The modifications consists of a Hayes Smartmodem dialer program that is designed to work with a modified patching version of Fast-term. The dialer and other changes were made by Jones. No first name or address is given in the program or in the documentation file included. The changes are public domain but the Fast-term program is "FAIRWARE" and a donation is requested.

If you have a Hayes 300 or 1200 Smartmodem this is the program for you. The following will tell you what you have to do to connect the modem and get up and running.

First take the front off the Hayes modem to check the configuration switch settings. These should be set to 0101001011 to work with the T.I. and the program. Next you need a RS-232 cable with all pins carried straight through with the exception of the lines going to pins 2 and 3 which must be interchanged at one end. If you have an extra printer RS-232 cable (all straight through) you can modify this cable instead of trying to find a commercially made cable that will work. The modification can be done either by carefully cutting the two pairs of lines, interchanging them, splicing, soldering, and taping if the pins aren't accessible; or if the connector has solder pins, just unsolder, interchange, and resolder. You could also make your own cable from two connectors and a length of ten conductor ribbon cable. Only ten pins are used by the Hayes modem and not all of them are necessary for the modem to work with the program. The lines used by the Hayes modem are shown below in the system diagram.

Connect the RS-232 cable to the T.I. RS-232 card and the modem then connect the phone lines and power supply as described in the Hayes manual.

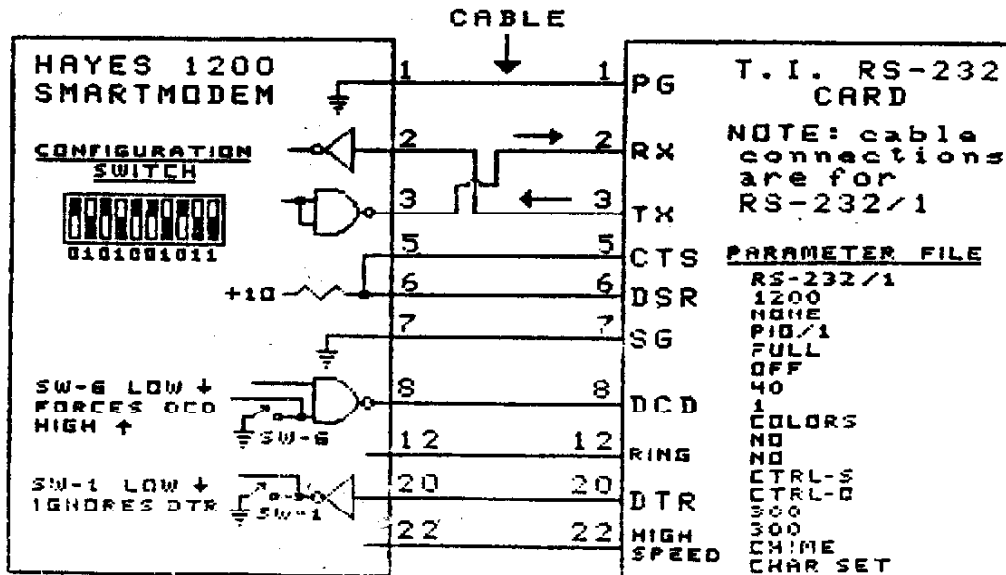
You are now ready to create the Fast-term parameter file if you need one that is different than the one on the FTERM/DIAL disk. Under the filename "12" is the 1200 baud file which will work with CompuServe and most other BBS systems and under the filename "3" is the 300 baud file that should work with most 300 baud BBSs. The answers to the questions asked by the default program that created the 1200 baud file are listed on

the system diagram, below. If you want to know how to create a parameter file, read the article by Duane Goodman, "FAST-TERM DEFAULT" that I saw in the TI Riverside User Group newsletter that is available in our exchange library. Also copy the "SUMMARY OF FAST-TERM COMMANDS" by Jim Ely that appeared in the Suncoast Beeper. Both appeared around July, 1986.

Next you must make a "DIALMENU" file as described in the documentation. This file has the names of the BBSs you wish to call. The names are on every other line with the phone numbers sandwiched on the lines between. You can have the names of up to 9 BBSs and their phone numbers in this file. Follow the instructions for creating this file carefully. If you get an extra menu choice, you've made an error in printing the file to disk without the control codes. Read page 77 of the TI-WRITER manual; "Stripping Out Control Codes...", if you have trouble. You can alternately use the E/A editor to create this file and you don't have to worry about control characters at the end of the file.

The FTERM/DIAL disk will autoloop from extended basic, option 3 of E/A, or TI-WRITER's option 3. When you load the program you will get 2 choices. Choose either: 1-dialer/ or 2-change defaults. If the parameter files are ok then select the dialer option and enter BSKn.12. To communicate with a BBS that only works at 300 baud, enter BSKn.3. Select the BBS you want from the menu. If the number dialed doesn't answer within 12 seconds, you are returned to the menu. If it answers, control will be transferred to Fast-term. Just press ENTER when asked for the default file name from within the Fast-term program because it was entered through the dialer program. Press ENTER a couple of times to let the BBS know you're there and you are ready to communicate.

If you have any problems with the dialer hanging up before making connection, you will want to change the wait time from 12 seconds to perhaps 15 or 18. I found that 12 seconds wasn't adequate time to make connection with some services. Use a sector editor to find the string ATE&V187=120x. This string is in the second sector of the DIAL file. Change the 12 to 15 or 18 and resave the sector to disk. Make sure that all your changes are to a backup disk and not the original.



I N G O D I T R U S T

JIM LESHER
722 HUNTLEY
DALLAS TX. 75214

214 821 9274

PL36AB

9/10/87

EDUCATION

ADDITION & SUBTRACTION 1	10.00M
ADDITION & SUBTRACTION 2	10.00M
ALIEN ADDITION	10.00M
ALLIGATOR MIX	10.00M
DECIMALS	10.00M
DEMOLITION DIVISION	10.00M
DIVISION 1	10.00M
EARLY LEARNING FUN	10.00M
EARLY READING	10.00M
EQUATIONS 6-8 YRS	10.00M
FACE MAKER	12.00M
HANGMAN	10.00M
INTEGERS	10.00M
LAWS OF ARITHMETIC	10.00M
MEASUREMENTS	10.00M
METEOR MULTIPLICATION	10.00M
MINUS MISSION	10.00M
MULTIPLICATION 1	14.95M
NUMERATION	10.00M
NUMERATION II	12.00M
PERCENTS GRADE 5-8	10.00M
PLATO	50.00MD
READING ON	10.00M
READING FLIGHT	12.00M
READING FUN	12.00M
READING ROUNDUP	10.00M
SCHOLASTIC SPELLING 3,4,5,6	15.00M ea
STORY MACHINE	10.00M

GAMES

ADVENTURE	12.00M
AMAZING	10.00M
ALPINER	10.00M
ATTACK the	10.00M
BASEBALL	10.00MBX
BIGFOOT	10.00MPX
BLACKJACK & POKER	10.00M
BURGER TIME	15.00M
CAR WARS	10.00M
CENTIPEDE	10.00M
CHISHILM TRAIL	10.00M
DEFENDER	10.00M
DONKY KONG	10.00M
FOOTBALL	15.00M
HOPPER	10.00M
HUSTLE	10.00M
INVADERS	10.00M
I'M HIDING	10.00MBX
JAWBREAKER II	10.00M
MASH	12.00M
MOON MINE	10.00M
MUNCHMAN	10.00M
PAC MAN	10.00M
PARSEC	10.00M
PICNICK PARANOIA	10.00M
SHAMUS	10.00M
SNEGGIT	10.00M
SUPERDEMON ATTACK	10.00M
TERRY TURTLE	10.00MBX
TOMBSTONE CITY	10.00M
VIDEO CHESS	17.95M
ARCADE SERIES (3 GAMES)	25.00M
EDITOR/ASSEMBLER	29.95BM
EXTENDED BASIC	39.95BM
HOUSEHOLD BUDGET	10.00M
MULTIPLAN	20.00BM
TERMINAL EMULATOR II	25.00M
TI LOGO II	30.00BM
TI WRITER	30.00BM

HOME FINANCIAL DECISIONS	12.00M
MINIMEMORY	20.00M
PROGRAMMING AIDS 1,2&3	11.00D EF
PERSONAL FINANCIAL AIDS	5.00T
PERSONAL REPORT GENERATOR	15.00M
TAX INVESTMENT RECORD KEEPING	10.00M
TEACH YOURSELF BASIC	10.00T
TEACH YOURSELF EXTENDED BASIC	10.00T
TEACH YOURSELF EXTENDED BASIC	10.00D
A D V E N T U R E	
ADVENTURE MODULE WITH DISK	12.00M
ADVENTURELAND	5.00T
GHOST TOWN	5.00T
GOLDEN VOYAGE	5.00T
MISSION IMPOSSIBLE	5.00T
RETURN TO PIRATE ISLAND	10.00M
SAVAGE ISLAND	5.00T
STRANGE ODYSSEY	5.00T
THE COUNT	5.00T
VOODOO CASTLE	5.00T
H A R D W A R E	
TI99/4A COMPUTER	65.00
NAVARONE WIDGET	30.00
STAND ALONE DISK DRIVE	99.95
STAND ALONE DISK CONTROLLER	85.00
TI JOYSTIX (PAIR)	15.00
WICO JOYSTICK ADAPTER	10.00
6' JOYSTICK EXTENSION	10.00
PRO TYPE JOYSTIX	10.00

P E BOX POWER CORD	5.00
TI DISK CONTROLLER CARD	99.95
TI RS232 CARD	125.00
TI 32K CARD	99.95
INTERNAL DISK DRIVE	45.00
INTERNAL DISK DRIVE USED	35.00
FULL PE BOX: 32K, RS232	
DISK CONTROLLER AND DRIVE	350.00
CONSOLE POWER SUPPLY (INTERNAL)	10.00
CONSOLE POWER SUPPLY (EXTERNAL)	10.00
SPEECH SYNTHESIZER	40.00
NEW GROM PORT	10.00
VIDEO MODULATOR	10.00
NEW KEYBOARD	10.00

CABLES

FASTTEXT 80 TO TI PARALLEL PORT	20.00
AXIOM SMART CABLE	79.95
INTERNAL DISK DRIVE CABLE	6.00
JOYSTICK EXTENSION CABLE	10.00
TI MONITOR CABLE	10.00
EXTERNAL DISK DRIVE CABLE	6.00
R G B VIDEO CABLE	10.00
TI CASSETTE CABLE	5.00
TI MODEM EXTENSION CABLER	10.00
TI TO HAYES COMPATIBLE CABLE	15.00
PE BOX POWRE CABLE	15.00
TI TO PARALLEL PRINTER CABLE	15.00
P-CODE CARD WITH ALL	
MANUALS AND DISKS	135.00

BOOKS

TI BASIC PROGRAMMING	10.00
GUIDE TO THE 99/4A	10.00
NEW TI99/4A MANUALS	10.00
NEW EXTENDED BASIC MANUAL	10.00
TI99/4A USERS GUIDE	5.00
PROGRAMMING BASIC WITH TI	10.00
PROGRAMMER'S REFERENCE GUIDE	10.00
COMPUTER PI PLAY	9.95
GAMES TI' THE TI99/4A	10.00
KIDS AN	10.00

THE LETTERS AFTER EACH PRICE ARE: T=CASSETTE TAPE D=DISKETTE MBX= A COMMAND MODULE WHICH CAN BE USED WITH THE MILTON BRADLEY EXPANSION SYSTEM Please add \$3.00 or 10% of cost whichever ever is larger for S&H. MONEY ORDER ONLY This literature may be copied and distributed. PRICES MAY CHANGE WITHOUT NOTICE: AVAILABILITY OF ITEMS