



# BRAZOS VALLEY 99ers'

H

March 1989

## NEWSLETTER



**NEXT MEETING:** March 28, 1989 at Connally High School Vocational Education Building. Meeting Time is 7:30. We will have a short business meeting and the program will be on the library which was brought up to date at the last Coffee meeting.

The yearly dues are due this month. They are \$12 for a single membership, \$9 for an associate membership, and \$18 for a family membership. Please come prepared to pay your dues or send them in to our mailing box. BRAZOS VALLEY 99ers', Post Office Box 7053, Waco, Texas, 76714-7053. We finished up the 1988 year with 25 members. We would like to see our membership increase and help us to continue to grow and learn more about our TI99/4a 's.

**NEWS AND VIEWS:** We received the corrected refund check for our portion of the 1988 TI-Faire held in Dallas. It was for \$27.00. It has been deposited to our account. This means we invested \$50.00 in the Faire and it operated at a loss, to give us our portion of the money left, after expenses of \$27.00. I suspect the dinner which was held after the Faire was the biggest expense. The Faire committee had guaranteed 85 people for the dinner and only 29 were there. I guess everyone was still so excited after a fun-filled day, that they weren't hungry! Zack Combes, of the University of Texas, renewed his membership and this was deposited in our account. We had three members renew at the last business meeting (to get it done early, Bless them!) and this was deposited to the account.

**TO OTHER USERS GROUPS:** We have not been sending out newsletters, but postcards for the last few months. This has been for a variety of reasons. Most of the Newsletter-Editors will recognize the reasons. Not enough/any contributors of

articles, family matters, ran out of time, tired, and as my niece used to say, I ran out of words. I feel we should be able to put out a nice enough news letter but with few contributors, it becomes a very few person commentary and not really representative of our group. We voted last year to put out a Newsletter every other month and hoped that might solve the problems of it being such an effort for only two or three to put out the newsletter. It really didn't. We will try to do better. If we miss a month or two, please bear with us and keep us on your mailing list. We really appreciate the effort put into the other newsletters around the country andf enjoy looking at them at our meetings. It helps all of us grow in our computing. Thanks for yourpatience,

Frank Cross

### We need articles:

If you have a program, a piece of hardware, an article from a book or magazine that you have enjoyed, Please share it with the rest of the Brazos Valley 99ers' in the form of a written article for the newsletter, or a demonstration at one of the meetings. It would be nice to see some of the demonstrations be about 15 minutes and see several on our meeting nights.

Remember: meetings are on the second and fourth Tuesday nights at 7:30 P.M. We look forward to seeing you there. Bring your questions, problems, contributions, smiling faces, Oh, yes, and your next years dues!

### FOR SALE

PEB, Disk Drive, DD controller, 32K mem,	
DMII Cartridge. books	\$140
RS 232 cards for PEB	\$65
Diskettes	\$40 each
Gorillo Banana Printer	\$50
TI consoles w/ books	\$35/

## For Sale Continued.

disk drives (ds/dd) \$50.00  
 in boxes w/ power supplies \$75.00

See Frank Cross at meetings or  
 call at 848-4589 evenings.

**FROM MY VIEWPOINT.....**

I have been getting on Genie, the national bulletin board, for about three years. There always was exciting new software and big announcements to be found there. I estimate there were 40-50 new pieces of software a month. I have been on the Genie about three times in the last month and counted roughly 10 pieces of software and most of them were for the 9640. Our best writers of software seem to have transferred over to the "compatible" Myarc 9640. By splitting our ranks with two computers to program for, we have lost some of the best programmers to the 9640. Another effect of the 9640, has been the delay of releasing software so it could be tested and made compatible or a different version made to run on the 9640. Unfortunately we have not really increased our ranks of users by the release of the 9640. We now find there are two sides of the street to satisfy in our TI community. We really seem to end up being the losers by the addition of the 9640. I had one, tried it, found that my family members refused to use it and wanted the old TI99/4a back. So I sold it. I haven't missed it. I do miss the input of our programmers that are caught up in the 9640 world and now divide their time between their two machines. I do wish to thank all of the programmers that have contributed to the TI99/4a for making it an exciting and viable machine in the home computer market. Long after it's demise(?) or halting manufacturing, we have a good, useful, flexible, inexpensive home system to rely on. This responsibility for success is shared by the contributors of our software and our hardware. If you are considering leaving the TI99/4a to go to another machine, consider the investment in time you have made learning the TI environment, and the considerable expense in software and hardware you have already made. Ask yourself "Does the TI do what I need?" If it

still does, then you really don't need to change.

To sum up this editorial, We have split our ranks, lost some of our great contributors but still have a good, viable home computer to rely on.

Frank Cross

**Brazos Valley 99ers' Officers:**

Amy Bates President  
 Newsletter Editor  
 Dr. Jeff Hull Program Chairman  
 Dave Eisfeldt Education Chairman  
 Norman and Lelah Beyer  
 Librarians  
 Frank Cross Membership Chairman

For information call: Frank Cross 848-4589

Or Write: Brazos Valley 99ers'  
 Post Office Box 7053  
 Waco, Texas, 76714-7053

From \* Topics - LA 99ERS \*

**TI-WRITER reminders**

For a heading on each page:

.HE Ctrl-U, shift "N", Ctrl-U (Enter  
 title here) Ctrl-U, shift "T", Ctrl U

For a numbered footer:

.FO ~~~~~PAGE% (the percent sign)

And this reminder from Jack Sughrue,  
 of IMPACT-99

How many of you know you can use an "I" with the TAB instructions to automatically Indent each new paragraph? (I have used "L" and "R" for left and right margins, but was unaware of the Indent option)... I now use:

L on 1, I on 5, and R on 38.

This sets the margins at the width of the screen, and indents each new paragraph. You'll be able to read everything ON your screen - no more windows.

~~~~~

Page 3

```

1 !****NAME THAT PHONE****
  * No 1's or 0's Please *
  *   A Tiny Gram   *
  *   by Ed Machonis *
  **QB-99'ers Bayside NY**
    
```

```

2 DEF S$=SEG$(B$,1,LEN(B$)-1)
  ):: A$="*****ABCDEFGHIJKLMN
  OPRSTUVWXY" :: FOR C=1 TO 7
    
```

```

3 INPUT "ENTER DIBIT "&STR$(
  C)&" OF PHONE # ":D :: E$=E$
  &SEG$(A$,D*3+1,3):: NEXT C
    
```

## NEW EQUIPMENT!

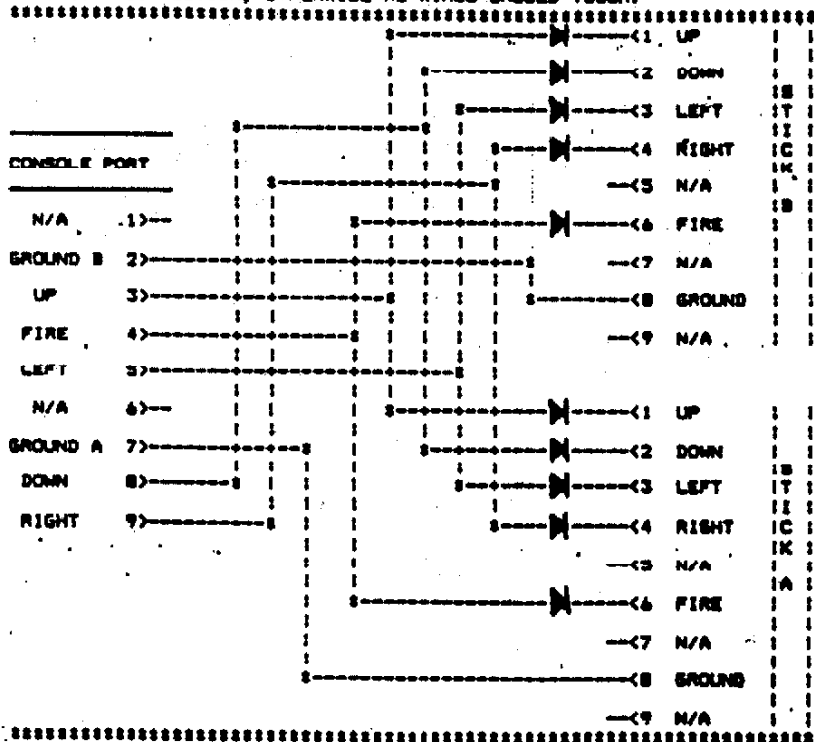
Amy Bates has recently ordered a print ribbon re-inker from Computer Friends. She will demonstrate it at the next meeting, with our request, and show us its usefulness and versatility. If you have one of your faded but serviceable ribbons still around, bring it to the next meeting and we might get it re-inked.

## HARDWARE PROJECT

### BUILD YOUR OWN JOYSTICK ADAPTER

THIS IS THE SCHEMATIC TO BUILD YOUR OWN JOYSTICK ADAPTER TO USE THE ATARI/COMMODORE COMPATIBLE JOYSTICKS. THE NUMBERS GO WITH THE PINS OF THE CONSOLE PORT AND THE JOYSTICK CONNECTORS. THE  $\nabla$  SYMBOL REPRESENTS A 1N914 DIODE (OR EQUIVALENT) WHICH CAN BE FOUND AT ANY RADIO SHACK. BE SURE TO INSTALL THE DIODES WITH THE BANDED END TO THE JOYSTICK SIDE.

THE BOX MENTIONED IN THE PARTS LIST REFERS TO ONE OF THOSE LITTLE PLASTIC BOXES YOU GET AT RADIO SHACK. IN THE DRAWING BELOW, AN "S" DENOTES A CONNECTION, OTHERWISE NO WIRES SHOULD TOUCH.



```

4 PRINT "0=SCREEN": "1=PRINT
  ER": "CHOICE (0/1)": :: INPUT
  P :: IF P THEN OPEN #P: "PID"
    
```

```

5 FOR F=1 TO 3 :: G$=""&SEG$(
  E$,F,1):: FOR H=1 TO 3 :: B
  $=B$&SEG$(E$,3+H,1):: FOR J=
  1 TO 3 :: G$=G$&SEG$(E$,6+J,
  1):: FOR K=1 TO 3 :: G$=G$&S
  EG$(E$,9+K,1):: FOR L=1 TO 3
    
```

```

6 G$=G$&SEG$(E$,12+L,1):: FO
  R M=1 TO 3 :: G$=G$&SEG$(E$,
  15+M,1):: FOR N=1 TO 3
    
```

```

7 B$=B$&SEG$(E$,18+N,1):: PR
  INT #P:G$, :: G$=G$ :: NEXT N
  :: G$=S$ :: NEXT M :: G$=S$
  :: NEXT L :: G$=S$ :: NEXT
  K :: G$=S$ :: NEXT J :: G$=S
  $ :: NEXT H :: NEXT F
    
```

```

1)XXXXXXXXXTINYMINDXXXXXXXXXX
  XXXXXXXXA TINYGRAMXXXXXXXXXX
  XXXXBY MIKE STANFILLXXXX
  XXXDALLAS,TI USER GROUPXX
  XXXXXXXXXXXXXXXXXXXXXXXXXXXX
    
```

```

2 RANDOMIZE :: L=1 :: CALL C
  LEAR :: A$="" :: FOR T=1 TO
  4 :: B$(T)=CHR$(INT(RND*6)+4
  9):: A$=A$&B$(T):: NEXT T
    
```

```

3 ACCEPT AT(L,1)SIZE(4)VALID
  ATE("123456"):C$ :: FOR T=1
  TO 4 :: D(T),E(T)=0 :: NEXT
  T :: C=B :: FOR T=1 TO 4
    
```

```

4 IF B$(T)=SEG$(C$,T,1)THEN
  CALL HCHAR(L,C,8B):: C=C+1 :
  : D(T),E(T)=1 :: G$=""
    
```

```

5 NEXT T :: W$="YOU LOSE"
    
```

```

6 FOR T=1 TO 4 :: FOR G=1 TO
  4 :: IF D(G)OR E(T)THEN B
    
```

```

7 IF SEG$(C$,T,1)=B$(G)THEN
  CALL HCHAR(L,C,79):: C=C+1 :
  : D(G)=1 :: G=4
    
```

```

8 NEXT G :: NEXT T :: L$="TH
  E ANSWER IS " :: IF A$=C$ TH
  EN W$="YOU WIN!" :: GOTO 10
    
```

```

9 L=L+1 :: IF L<7 THEN 3
    
```

```

10 DISPLAY AT(21,1):L$&A$&G$
  :W$: "PRESS ENTER TO PLAY ABA
  IN!" :: INPUT A$ :: GOTO 2
    
```